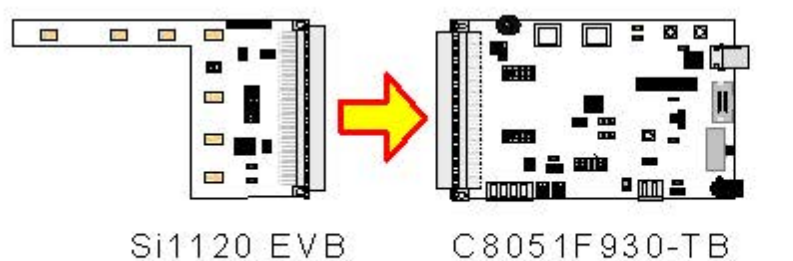


# Si1120 EVALUATION KIT QUICK-START GUIDE

**1** Download the CP210x VCP drivers from the Silicon Labs website ([www.silabs.com/mcudownloads](http://www.silabs.com/mcudownloads)) and install them on your PC. If they are already installed, skip to Step 2.

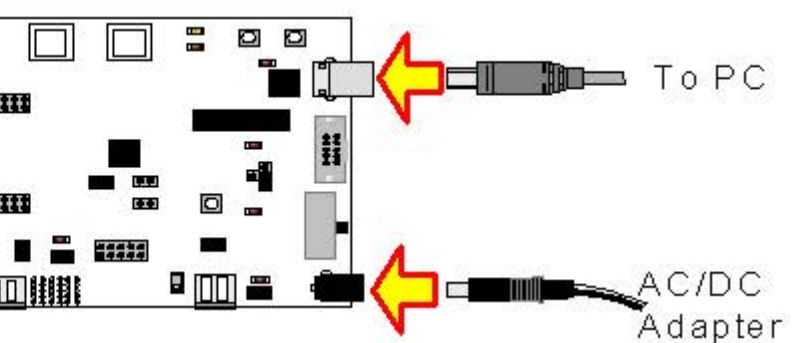


**2** Connect the Si1120 EVB to the C8051F930-TB using the 96-pin connectors.



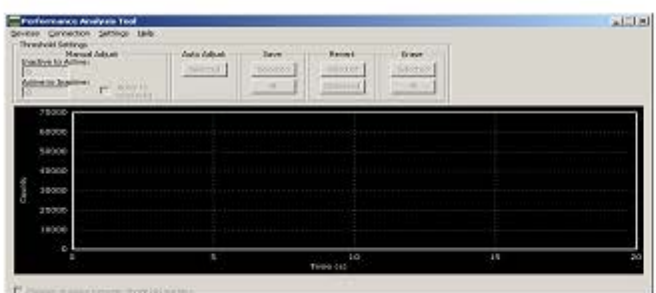
Si1120 EVB      C8051F930-TB

**3** Connect the ac/dc adapter to the POWER connector, and a USB cable between the USB connection on the C8051F930-TB board and a PC.

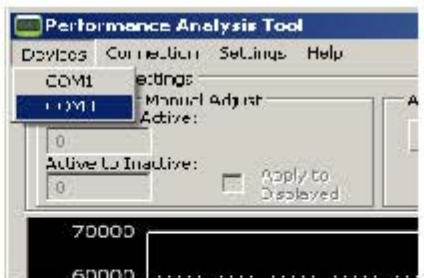


To PC  
AC/DC Adapter


**4** This board is compatible with the Si1120 Performance Analysis Tool, which is part of the Optical Sensors Programmer's Toolkit available from [www.silabs.com](http://www.silabs.com). Starting the software will display the main analysis window.



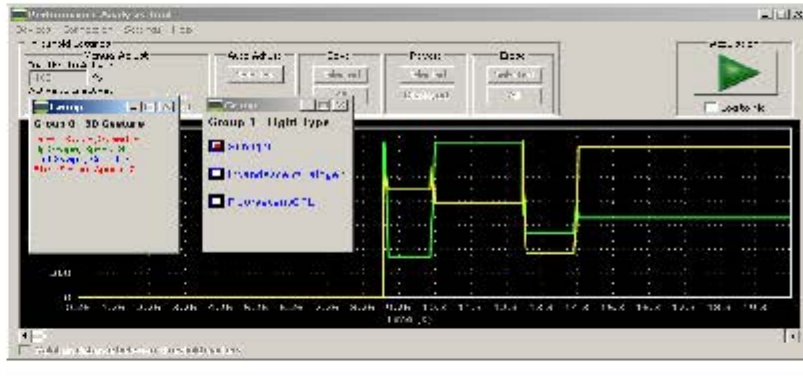
**5** Click on *Devices*, and select the virtual COM port that the board is connected to (this will normally be the last COM port in the list).



**6** Check the signals that you wish to monitor on the picture of the board, and then click the green *Acquisition* arrow to begin data collection.



**7** In addition to the real-time data graphed in the main window, any recognized gestures and the ambient light conditions will be displayed in separate Group windows.



For more information, including supporting software and documentation, please visit the Silicon Labs Si1120 Evaluation Kit website located at <http://www.silabs.com/Si1120EK>.